

SRS-Z1000/Z1000PC

SERVICE MANUAL

Ver 1.2 1999.05
With SUPPLEMENT
(9-923-352-81)



US Model
Canadian Model
SRS-Z1000
AEP Model
UK Model
E Model
SRS-Z1000/Z1000PC

SPECIFICATIONS

Amplifier section

Power output 7.5 W + 7.5 W
Input impedance 4.7 kilohms (at 1 kHz)
Input Stereo mini jack × 2 (INPUT 1, 2)

Speaker section

System Full-range, bass reflex type
Speaker unit Magnetically shielded ø65 mm
(2 5/8 inch)
Nominal Impedance 8 ohms
Rated input power 7.5 W

General

Power requirement DC IN 15 V jack accepts the supplied Sony AC power adaptor (left speaker only)
Dimensions Approx. 95 × 175 × 160 mm (3 3/4 × 7 × 6 3/8 in.) (w/h/d) incl. projecting parts and controls
Mass Approx. 1.6 kg ea.
Supplied accessories AC power adaptor (1)
Connecting cord (stereo miniplug ↔ stereo miniplug) (1)
Optional accessories Plug adaptor PC-236HG
Connecting cord RK-G138HG

Design and specifications are subject to change without notice.

The CE mark on the unit is valid only for products marketed in the European Union.

ACTIVE SPEAKER SYSTEM



SONY®

SECTION 1 GENERAL

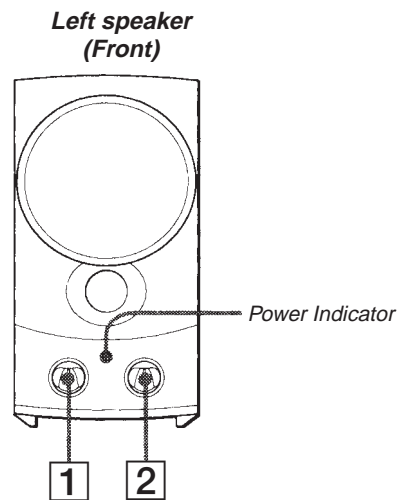
This section is extracted
from instruction manual.

The Sony SRS-Z1000/Z1000PC is a compact-size speaker system with a built-in power amplifier. This system can be connected to a Discman, WALKMAN* headphone stereo, MD station, etc.

- Newly developed Σ -type magnetic circuit reproduces powerful bass that you cannot imagine from its appearance.
- High-grade aluminum enclosure.

- Power output of 7.5 W + 7.5 W
- MEGA BASS and IBB (Intelligent Bass Boost) circuit enables you to obtain powerful bass regardless of the sound volume.

* WALKMAN is a registered trademark of Sony Corporation.

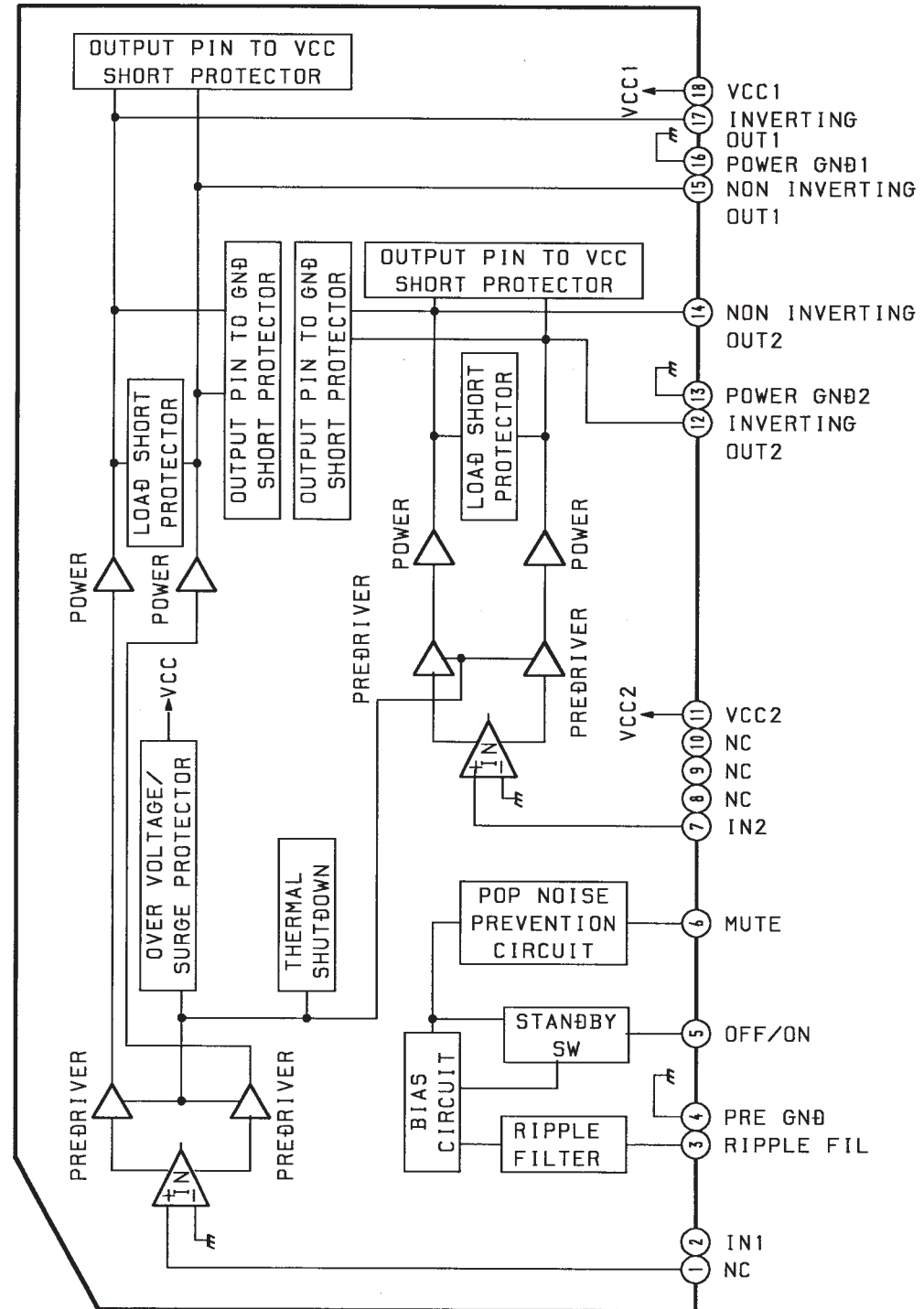


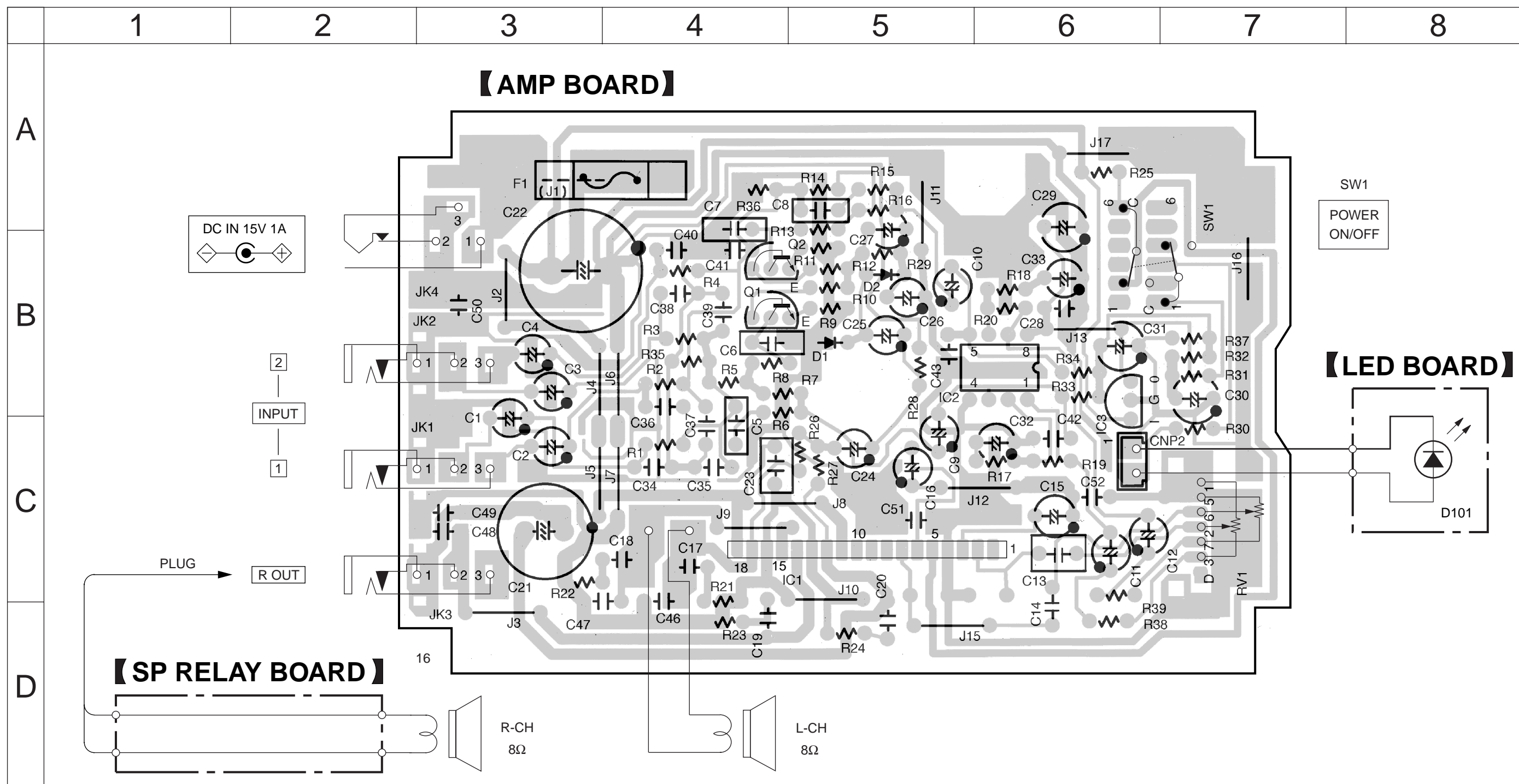
- 1 Turn the POWER switch to turn on the system.**
The POWER indicator lights up.
- 2 Adjust the volume with the VOLUME control.**

SECTION 2 DIAGRAMS

2-1. IC BLOCK DIAGRAM

IC 1 LA4705NA





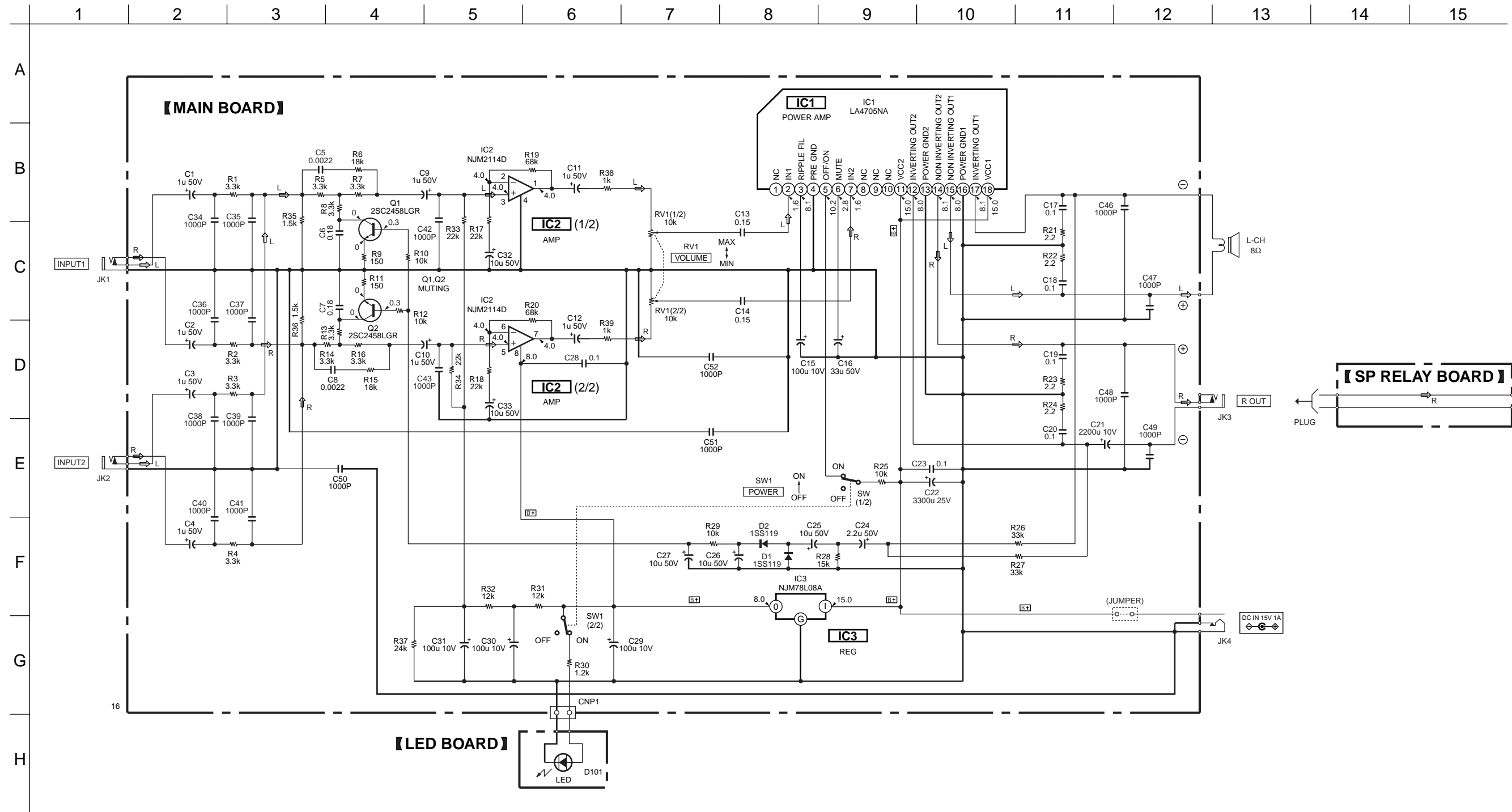
• Semiconductor Location

Ref. No.	Location
D1	B-5
D2	B-5
D101	C-8
IC1	C-5
IC2	B-6
IC3	B-6
Q1	B-4
Q2	B-4

Note on Printed Wiring Board:

- : parts extracted from the component side.
- : Pattern from the side which enables seeing.

2-3. SCHEMATIC DIAGRAM



Note on Schematic Diagram:

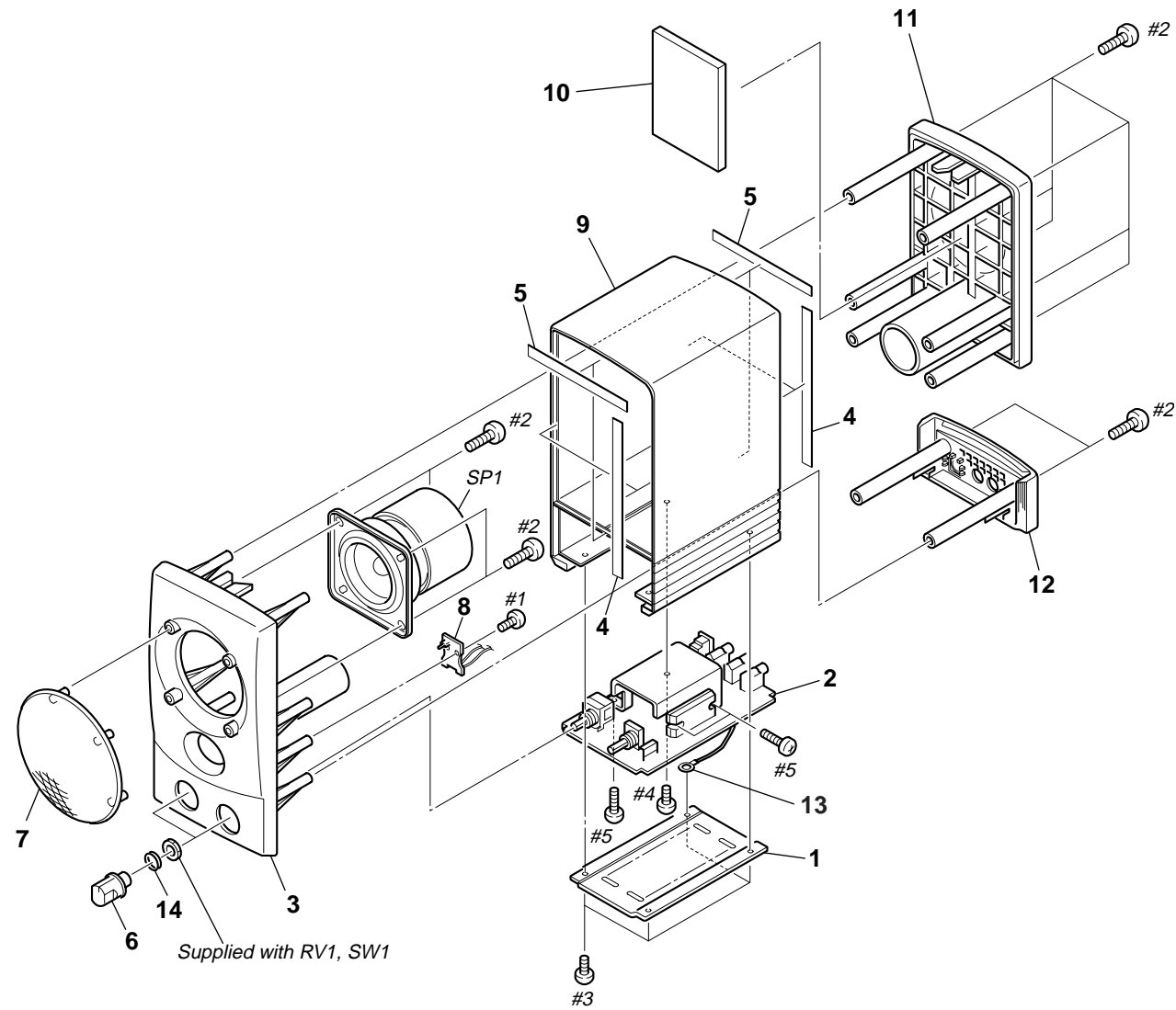
- All capacitors are in μF unless otherwise noted. pF : μpF 50 WV or less are not indicated except for electrolytics and tantalums.
- All resistors are in Ω and $1/4\text{ W}$ or less unless otherwise specified.
- : panel designation.
- B+ : B+ Line.
- Power voltage is dc 1.5 V and fed with regulated dc power supply from external power voltage jack.
- Voltages are taken with a VOM (Input impedance 10 M Ω). Voltage variations may be noted due to normal production tolerances.
- : parts extracted from the component side.
- : Pattern from the side which enables seeing.
- Signal path.
- : AUDIO

SECTION 3 EXPLODED VIEWS

NOTE:

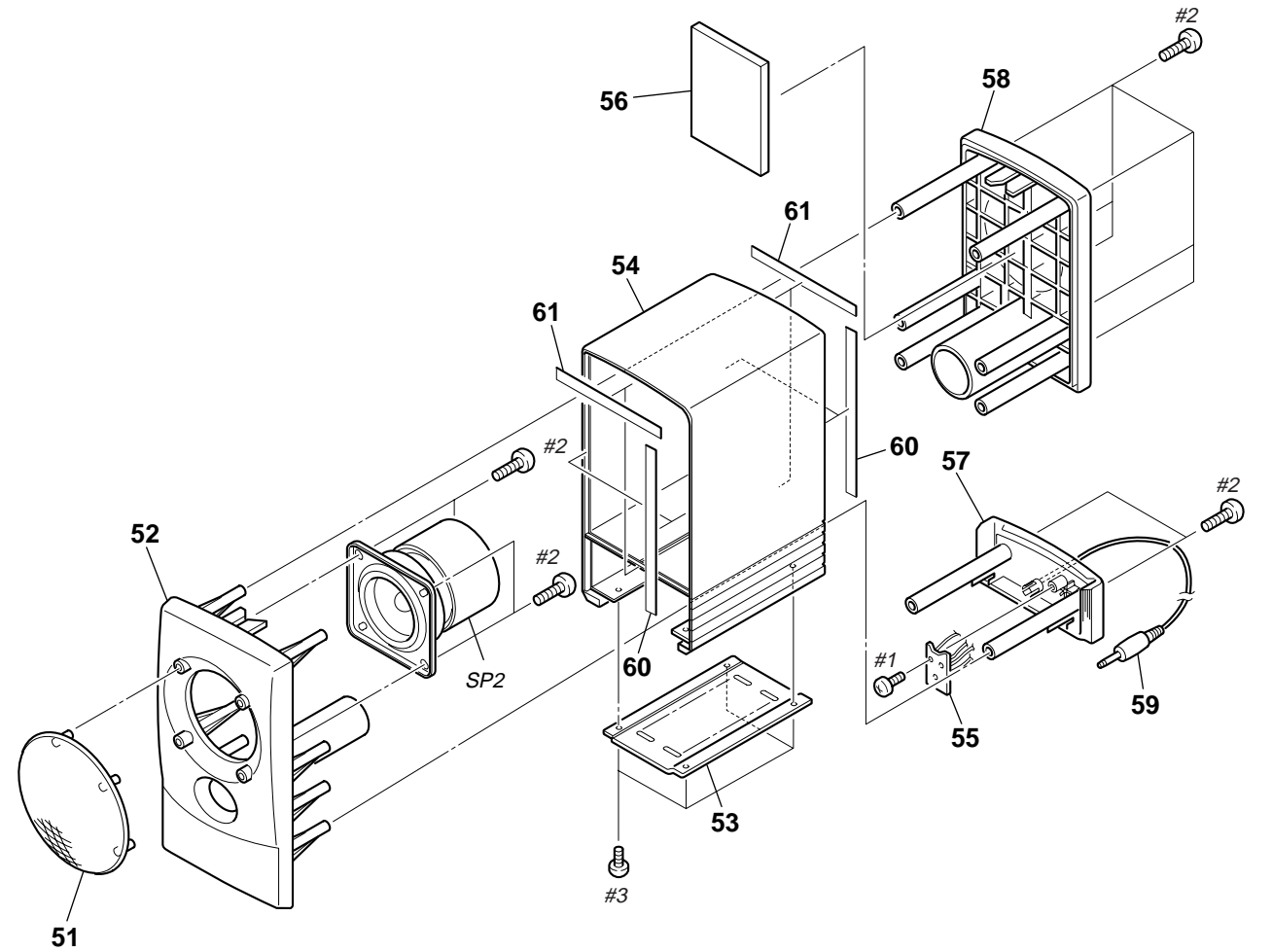
- -XX, -X mean standardized parts, so they may have some differences from the original one.
- Items marked “*” are not stocked since they are seldom required for routine service. Some delay should be anticipated when ordering these items.
- The mechanical parts with no reference number in the exploded views are not supplied.
- Hardware (# mark) list and accessories and packing materials are given in the last of this parts list.

3-1. CABINET (L) SECTION



Ref. No.	Part No.	Description	Remarks	Ref. No.	Part No.	Description	Remarks
* 1	4-997-076-01	COVER, UNDER		* 8	1-668-102-11	LED BOARD	
* 2	A-4542-484-A	AMPLIFIER BOARD, COMPLETE		9	4-997-072-01	CABINET	
3	4-997-073-01	PANEL (L), FRONT (Z1000)		* 10	4-997-278-01	ABSORBENT, ACOUSTIC	
3	4-997-073-11	PANEL (L), FRONT (Z1000PC)		11	4-997-074-01	PANEL, REAR (Z1000)	
4	4-997-083-01	PACKING (LARGE)		11	4-997-074-11	PANEL, REAR (Z1000PC)	
5	4-997-084-01	PACKING (SMALL)		12	4-997-075-01	PANEL (L), JACK (Z1000)	
6	4-997-077-01	KNOB (Z1000)		12	4-997-075-11	PANEL (L), JACK (Z1000PC)	
6	4-997-077-11	KNOB (Z1000PC)		13	7-623-508-01	LUG, 3	
7	X-4949-421-1	GRILLE ASSY (Z1000)		14	4-964-032-01	SPRING, COIL	
7	X-4949-524-1	GRILLE ASSY (Z1000PC)		SP1	1-505-803-11	SPEAKER(065F039)	

3-1. CABINET (R) SECTION



Ref. No.	Part No.	Description	Remarks	Ref. No.	Part No.	Description	Remarks
51	X-4949-421-1	GRILLE ASSY (Z1000)		57	4-997-082-01	PANEL (R), JACK (Z1000)	
51	X-4949-524-1	GRILLE ASSY (Z1000PC)		57	4-997-082-11	PANEL (R), JACK (Z1000PC)	
52	4-997-081-01	PANEL (R), FRONT (Z1000)		58	4-997-074-01	PANEL, REAR (Z1000)	
52	4-997-081-11	PANEL (R), FRONT (Z1000PC)		58	4-997-074-11	PANEL, REAR (Z1000PC)	
* 53	4-997-076-01	COVER, UNDER		59	1-775-692-11	CORD (WITH PLUG) (R) (Z1000)	
54	4-997-072-01	CABINET		59	1-775-692-21	CORD (WITH PLUG) (R) (Z1000PC)	
* 55	1-668-103-11	RELAY BOARD		60	4-997-083-01	PACKING (LARGE)	
* 56	4-997-278-01	ABSORBENT, ACOUSTIC		61	4-997-084-01	PACKING (SMALL)	
				SP2	1-505-803-11	SPEAKER(065F039)	

SECTION 4 ELECTRICAL PARTS LIST

AMPLIFIER

NOTE:

When indicating parts by reference number, please include the board name.

The components identified by mark Δ or dotted line with mark Δ are critical for safety. Replace only with part number specified.

Les composants identifiés par une marque Δ sont critiques pour la sécurité. Ne les remplacer que par une pièce portant le numéro spécifié.

- Abbreviation
CND : Canadian
SP : Singapore

- Due to standardization, replacements in the parts list may be different from the parts specified in the diagrams or the components used on the set.
- -XX, -X mean standardized parts, so they may have some difference from the original one.
- Items marked "*" are not stocked since they are seldom required for routine service. Some delay should be anticipated when ordering these items.
- CAPACITORS:
uF: μ F

- RESISTORS
All resistors are in ohms.
METAL: metal-film resistor
METAL OXIDE: Metal Oxide-film resistor
F: nonflammable
- COILS
uH: μ H
- SEMICONDUCTORS
In each case, u: μ , for example:
uA...: μ A..., uPA..., μ PA...,
uPB..., μ PB..., uPC..., μ PC...,
uPD..., μ PD...

Ref. No.	Part No.	Description	Remarks	Ref. No.	Part No.	Description	Remarks
*	A-4542-484-A	AMPLIFIER BOARD, COMPLETE *****		C41	1-162-294-31	CERAMIC	0.001uF 10% 50V
	7-685-647-79	SCREW +P 3X10 TYPE2 NON-SLIT		C42	1-162-294-31	CERAMIC	0.001uF 10% 50V
	7-685-873-09	SCREW +BVTT 3X10 (S)		C43	1-162-294-31	CERAMIC	0.001uF 10% 50V
		< CAPACITOR >		C46	1-162-294-31	CERAMIC	0.001uF 10% 50V
C1	1-124-903-11	ELECT	1uF 20% 50V	C47	1-162-294-31	CERAMIC	0.001uF 10% 50V
C2	1-124-903-11	ELECT	1uF 20% 50V	C48	1-162-294-31	CERAMIC	0.001uF 10% 50V
C3	1-124-903-11	ELECT	1uF 20% 50V	C49	1-162-294-31	CERAMIC	0.001uF 10% 50V
C4	1-124-903-11	ELECT	1uF 20% 50V	C50	1-162-294-31	CERAMIC	0.001uF 10% 50V
C5	1-106-351-00	MYLAR	2200PF 5% 200V	C51	1-162-294-31	CERAMIC	0.001uF 10% 50V
				C52	1-162-294-31	CERAMIC	0.001uF 10% 50V
						< CONNECTOR >	
C6	1-136-168-00	FILM	0.18uF 5% 50V	* CNP1	1-569-973-11	PIN, CONNECTOR (PC BOARD) 2P	
C7	1-136-168-00	FILM	0.18uF 5% 50V			< DIODE >	
C8	1-106-351-00	MYLAR	2200PF 5% 200V	D1	8-719-911-19	DIODE 1SS119	
C9	1-124-903-11	ELECT	1uF 20% 50V	D2	8-719-911-19	DIODE 1SS119	
C10	1-124-903-11	ELECT	1uF 20% 50V			< IC >	
C11	1-124-903-11	ELECT	1uF 20% 50V	IC1	8-759-333-16	IC LA4705NA	
C12	1-124-903-11	ELECT	1uF 20% 50V	IC2	8-759-712-02	IC NJM2114D	
C13	1-136-167-00	FILM	0.15uF 5% 50V	IC3	8-759-708-08	IC NJM78L08A	
C14	1-136-167-00	FILM	0.15uF 5% 50V			< JACK >	
C15	1-124-443-00	ELECT	100uF 20% 10V	JK1	1-566-822-21	JACK (INPUT1)	
C16	1-104-663-11	ELECT	33uF 20% 16V	JK2	1-566-822-21	JACK (INPUT2)	
C17	1-136-165-00	FILM	0.1uF 5% 50V	JK3	1-566-822-21	JACK (R OUT)	
C18	1-136-165-00	FILM	0.1uF 5% 50V	JK4	1-695-619-11	JACK, DC (DC IN 5V 1A)	
C19	1-136-165-00	FILM	0.1uF 5% 50V			< TRANSISTOR >	
C20	1-136-165-00	FILM	0.1uF 5% 50V	Q1	8-729-205-83	TRANSISTOR 2SC2458L-GR	
C21	1-126-927-11	ELECT	2200uF 20% 10V	Q2	8-729-205-83	TRANSISTOR 2SC2458L-GR	
C22	1-126-944-11	ELECT	3300uF 20% 25V			< RESISTOR >	
C23	1-136-165-00	FILM	0.1uF 5% 50V	R1	1-247-843-11	CARBON 3.3K 5% 1/4W	
C24	1-126-961-11	ELECT	2.2uF 20% 50V	R2	1-247-843-11	CARBON 3.3K 5% 1/4W	
C25	1-124-907-11	ELECT	10uF 20% 50V	R3	1-247-843-11	CARBON 3.3K 5% 1/4W	
C26	1-124-907-11	ELECT	10uF 20% 50V	R4	1-247-843-11	CARBON 3.3K 5% 1/4W	
C27	1-124-907-11	ELECT	10uF 20% 50V	R5	1-247-843-11	CARBON 3.3K 5% 1/4W	
C28	1-136-165-00	FILM	0.1uF 5% 50V	R6	1-249-432-11	CARBON 18K 5% 1/4W	
C29	1-124-443-00	ELECT	100uF 20% 10V	R7	1-247-843-11	CARBON 3.3K 5% 1/4W	
C30	1-124-443-00	ELECT	100uF 20% 10V	R8	1-247-843-11	CARBON 3.3K 5% 1/4W	
C31	1-124-443-00	ELECT	100uF 20% 10V	R9	1-249-407-11	CARBON 150 5% 1/4W F	
C32	1-124-907-11	ELECT	10uF 20% 50V	R10	1-249-429-11	CARBON 10K 5% 1/4W	
C33	1-124-907-11	ELECT	10uF 20% 50V				
C34	1-162-294-31	CERAMIC	0.001uF 10% 50V				
C35	1-162-294-31	CERAMIC	0.001uF 10% 50V				
C36	1-162-294-31	CERAMIC	0.001uF 10% 50V				
C37	1-162-294-31	CERAMIC	0.001uF 10% 50V				
C38	1-162-294-31	CERAMIC	0.001uF 10% 50V				
C39	1-162-294-31	CERAMIC	0.001uF 10% 50V				
C40	1-162-294-31	CERAMIC	0.001uF 10% 50V				

AMPLIFIER

LED

Ref. No.	Part No.	Description			Remarks
R11	1-249-407-11	CARBON	150	5%	1/4W F
R12	1-249-429-11	CARBON	10K	5%	1/4W
R13	1-247-843-11	CARBON	3.3K	5%	1/4W
R14	1-247-843-11	CARBON	3.3K	5%	1/4W
R15	1-249-432-11	CARBON	18K	5%	1/4W
R16	1-247-843-11	CARBON	3.3K	5%	1/4W
R17	1-247-863-91	CARBON	22K	5%	1/4W
R18	1-247-863-91	CARBON	22K	5%	1/4W
R19	1-249-439-11	CARBON	68K	5%	1/4W
R20	1-249-439-11	CARBON	68K	5%	1/4W
R21	1-249-385-11	CARBON	2.2	5%	1/6W F
R22	1-249-385-11	CARBON	2.2	5%	1/6W F
R23	1-249-385-11	CARBON	2.2	5%	1/6W F
R24	1-249-385-11	CARBON	2.2	5%	1/6W F
R25	1-249-429-11	CARBON	10K	5%	1/4W
R26	1-249-435-11	CARBON	33K	5%	1/4W
R27	1-249-435-11	CARBON	33K	5%	1/4W
R28	1-249-431-11	CARBON	15K	5%	1/4W
R29	1-249-429-11	CARBON	10K	5%	1/4W
R30	1-249-418-11	CARBON	1.2K	5%	1/4W F
R31	1-249-430-11	CARBON	12K	5%	1/4W
R32	1-249-430-11	CARBON	12K	5%	1/4W
R33	1-247-863-91	CARBON	22K	5%	1/4W
R34	1-247-863-91	CARBON	22K	5%	1/4W
R35	1-249-419-11	CARBON	1.5K	5%	1/4W F
R36	1-249-419-11	CARBON	1.5K	5%	1/4W F
R37	1-247-864-11	CARBON	24K	5%	1/4W
R38	1-249-417-11	CARBON	1K	5%	1/4W F
R39	1-249-417-11	CARBON	1K	5%	1/4W F
RV1	1-225-584-11	RES, VAR, CARBON 10K/10K (VOLUME)			
SW1	1-771-302-11	SWITCH (POWER)			

< VARIABLE RESISTOR >

< SWITCH >

Ref. No.	Part No.	Description	Remarks
*	1-668-102-11	LED BOARD	

		< DIODE >	
D101	8-719-822-26	DIODE TLG226	

		MISCELLANEOUS	

59	1-775-692-11	CORD (WITH PLUG) (R) (Z1000)	
59	1-775-692-21	CORD (WITH PLUG) (R) (Z1000PC)	
SP1	1-505-803-11	SPEAKER(O65F039)	
SP2	1-505-803-11	SPEAKER(O65F039)	

		ACCESSORIES & PACKING MATERIALS	

△	1-473-851-11	ADAPTOR, AC (AC-S1510)(Z1000: US,CND,E)	
△	1-473-852-11	ADAPTOR, AC (AC-S1510)(AEP,SP)	
△	1-473-853-11	ADAPTOR, AC (AC-S1510)(UK)	
	1-783-164-11	CORD, CONNECTION	
	3-861-605-21	MANUAL, INSTRUCTION(ENGLISH)(Z1000: US)	
	3-861-605-31	MANUAL, INSTRUCTION (ENGLISH/FRENCH/GERMAN/SPANISH) (Z1000: CND,AEP,UK,E,SP,Z1000PC)	
	3-861-605-41	MANUAL, INSTRUCTION (GERMAN/DUTCH/SWEDISH/ITALIAN)(AEP)	
	4-997-071-01	FOOT, RUBBER	

		HARDWARE LIST	

#1	7-685-133-19	SCREW +P 2.6X6 TYPE2 NON-SLIT	
#2	7-685-647-79	SCREW +BVTP 3X10 TYPE2 N-S	
#3	7-685-790-09	SCREW +PTT 2.6X4 (S)	
#4	7-685-871-09	SCREW +BVTT 3X6 (S)	
#5	7-685-873-09	SCREW +BVTT 3X10 (S)	

The components identified by mark △ or dotted line with mark △ are critical for safety. Replace only with part number specified.	Les composants identifiés par une marque △ sont critiques pour la sécurité. Ne les remplacer que par une pièce portant le numéro spécifié.
--	--

SRS-Z1000/Z1000PC

SONY[®]

SERVICE MANUAL

1999. 05

US Model
Canadian Model
SRS-Z1000

AEP Model
UK Model
E Model

SRS-Z1000/Z1000PC

Australian Model
SRS-Z1000PC

SUPPLEMENT-1

File this supplement with the Service Manual.

Subject : SRS-Z1000PC: Australian model is added.

- SRS-Z1000PC: Difference of the Australian model from other models is AC adaptor only.
Please refer to SRS-Z1000/Z1000PC service manual (9-923-352-11) previously issued for other information.

• PART LIST

<u>Ref. No.</u>	<u>Part No.</u>	<u>Description</u>
△	1-475-756-11	ADAPTOR, AC (AC-S1510) (Z1000PC: Australian)

The components identified by mark △ or dotted line with mark △ are critical for safety. Replace only with part number specified.

Les composants identifiés par une marque △ sont critiques pour la sécurité. Ne les remplacer que par une pièce portant le numéro spécifié.